

B-MAX4 II

SETTING SHEET Ver.02

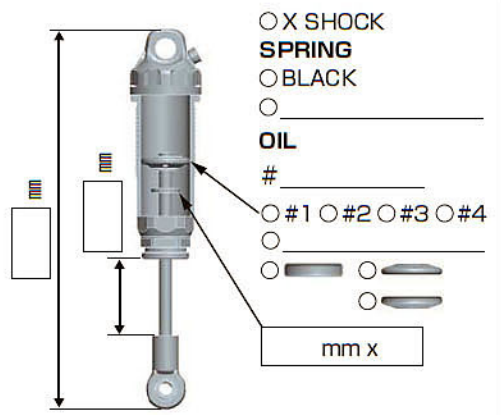
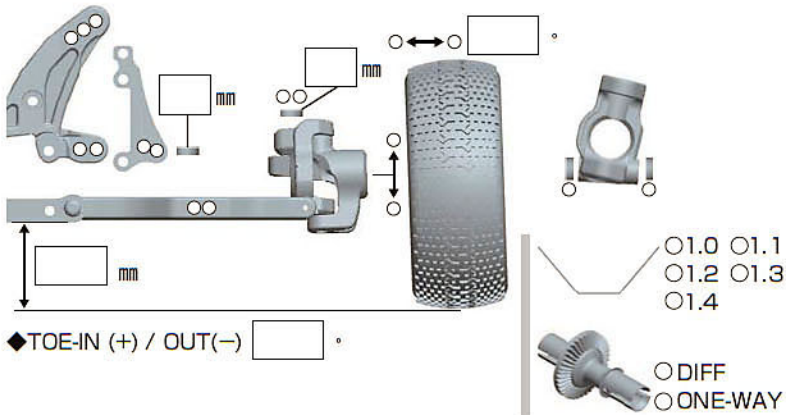
CIRCUIT

- INDOOR OUTDOOR
- WET DRY DUSTY OTHER
- LOW TRACTION MED TRACTION HIGH TRACTION
- SMOOTH BUMPY BLUE GROOVE ASTROTURF
- CARPET WOOD

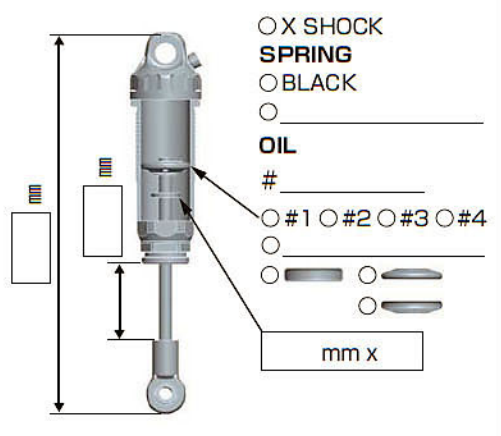
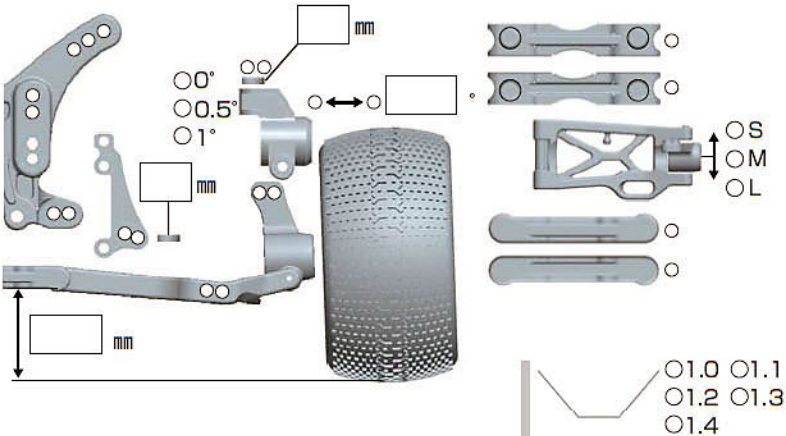
DRIVER

DATE / /

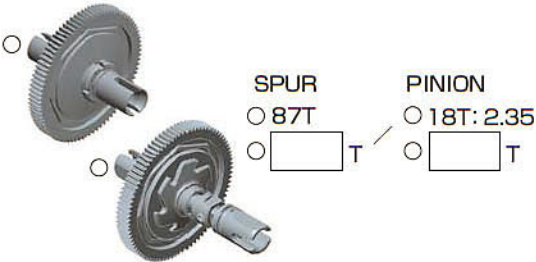
FRONT



REAR



DRIVE

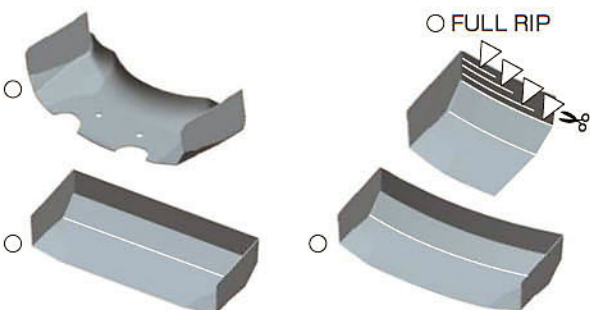


- Bonded
 Sintered mm
- MOTOR
- BRUSHES
- BATTERY
- ESC NOSRAM / / /

TIRE

- | | |
|------------------------------|------------------------------|
| FRONT | REAR |
| TIRE <input type="text"/> | TIRE <input type="text"/> |
| INSERTS <input type="text"/> | INSERTS <input type="text"/> |
| WHEELS <input type="text"/> | WHEELS <input type="text"/> |

OTHER



COMMENT